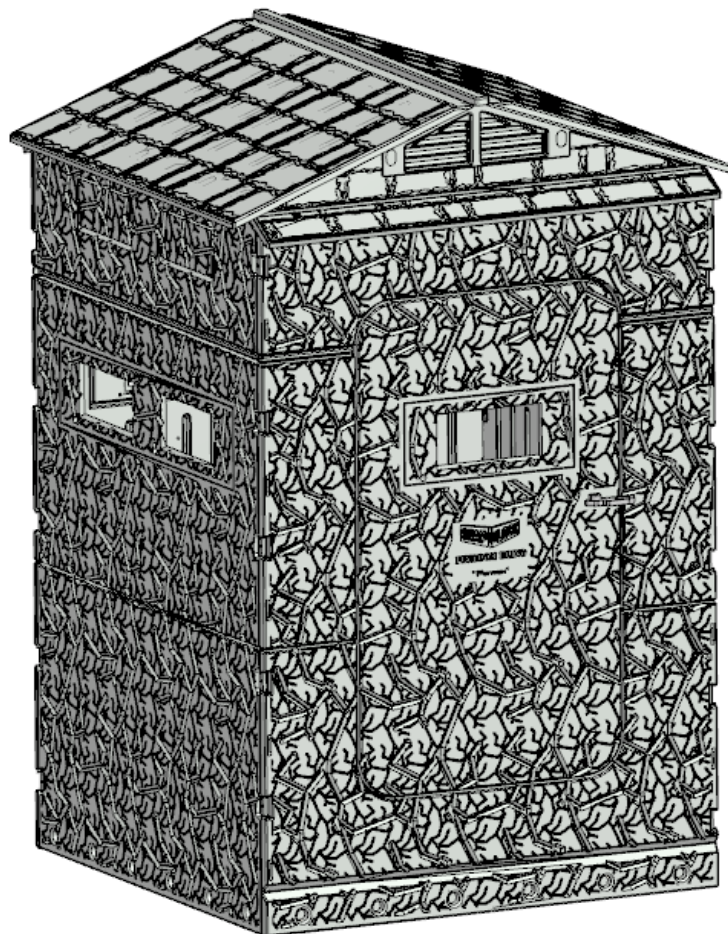


SNAP & LOCK

FREEDOM BLIND



BY **Formex**®



Failure to read and strictly comply with the instructions contained in this Instruction Manual may result in serious injury or death.

Falls from a HUNTING BLIND or freestanding platform can occur anytime after leaving the ground. These falls result in either serious injury or death! For your personal safety, please take a moment to carefully read the product instruction manual in its entirety before attempting to assemble, set-up, install and/or otherwise use this product. At least annually, review the contents of this instruction manual. Additionally, keep these instructions for so long as you own the product and pass them on if you transfer this product.



Failure to follow these instructions may result in serious injury or death!

The safe use and operation of this product is the sole responsibility of the user. It is also the sole responsibility of the owner to provide any person(s) who borrows or purchases this product with this instruction manual.

Failure to follow these instructions may result in serious injury or death!



DO NOT for any reason lean on the walls or door. Always use door latch locking pin while occupying blind. **Failure to follow these instructions may result in serious injury or death!**



DO NOT use this or any other HUNTING BLIND product(s) if you have a history of heart problems, back problems, impaired vision, joints that lock-up, spinal fusions, equilibrium problems, high blood pressure, are not well-rested and/or any other physical impairment that may limit your ability to use and/or operate this product in the safe manner outlined in this Instruction Manual. Additionally, **DO NOT** use this or any other HUNTING BLIND product(s) if you are currently taking medication (including prescription)



and/or using and/or consuming any substance, including alcohol, that may limit your ability to use this HUNTING BLIND product as outlined and described in the Instruction Manual. Never use a HUNTING BLIND when feeling ill, nauseous or dizzy. **Failure to follow these instructions may result in serious injury or death**

Failure to follow these instructions may result in serious injury or death

DO NOT remove, modify and/or omit any portion or otherwise mechanically modify this product(s) or its assemblies in any manner. Modification, misuse and/or part substitution shall immediately void your factory warranty and may result in serious injury or death! If you suspect that a part(s) is missing and/or defective, immediately contact Formex Manufacturing Inc. at 770-962-9816 for replacement of missing or defective parts. Always use genuine factory authorized replacement parts. Use of any replacement parts other than genuine parts voids your warranty and may result in serious injury or death!



This product(s) is designed for adult use only. No one under the age of 16 should attempt to use this or any other product(s) without direct adult supervision. **Failure to follow these instructions may result in serious injury or death!**



DO NOT attempt to use this HUNTING BLIND under adverse weather conditions..

Thoroughly inspect this or any other HUNTING BLIND product(s) prior to each use for signs of wear or any other type of defect. Do not use your HUNTING BLIND or any other product (s) if they show evidence of wear, rot, corrosion, cracks, deterioration and/or any other type of defect. **Failure to follow these instructions may result in serious injury or death.**

DO NOT modify, fix/repair, alter, bend, cut, weld, or heat this product(s) in any way. **Failure to follow these instructions may result in serious injury or death.**



DO NOT attempt to make adjustments to this product while in the blind. All adjustments must be made with the entire blind on the ground. **Failure to follow these instructions may result in serious injury or death.**



If you are elevating your platform please use only architectural approved designs. **Never lean or push on walls. Failure to follow these instructions may result in serious injury or death!**



Product Registration

Product Purchased: _____ Model Number: _____

Owner's Name: _____

Street Address: _____

City: _____ State: _____ Zip: _____

Email Address: _____

Owner's Age (Optional): _____ Sex (Optional): M F

Date Purchased: _____

Purchased From (Dealer Name): _____

How Did You Hear About Us: Catalog Webpage Friend Magazine Other

If Other, Please Explain: _____

Are you a: Bow Hunter Gun Hunter Both

A COPY OF THE RECEIPT MUST BE MAILED IN WITH THE PRODUCT REGISTRATION

STANDARD LIMITED WARRANTY

Warranty: Formex® Manufacturing, Inc. warrants all Snap Lock Hunting Blinds by Formex® or accessories to be free from defects in material and workmanship for a period of twelve months from the original date of retail purchase. Formex® Manufacturing, Inc. warrants the enclosed hardware (where applicable) is delivered to be free from physical defects for a period of twelve months from the original date of retail purchase.

Repair Procedures, Exclusive Remedy: Formex® Manufacturing, Inc will at its option, repair, or replace products not conforming to this limited warranty at no charge. THIS IS THE SOLE AND EXCLUSIVE REMEDY AVAILABLE FOR BREACH OF WARRANTY OR UNDER ANY OTHER LEGAL THEORY WITH RESPECT TO SNAP LOCK HUNTING BLINDS BY FORMEX® PRODUCTS. If you find a product to be defective, contact the customer service department at 1 (800) 310-3867. When you receive authorization, return the product as directed at your expense. Product repairs not covered by warranty, and product updates, will be provided at a set rate.

Limitations: This warranty is void if the product is damaged by improper or abnormal use or by accident; if the product is altered or modified in any way other than those directed by official Snap Lock Hunting Blinds by Formex® instructions; or if any attempt is made to repair the product without authorization from Formex® Manufacturing, Inc. It is solely the purchaser's responsibility to determine the suitability of these products for each particular application. Snap Lock Hunting Blinds by Formex® products are intended for hunting and hunting only. Snap Lock Hunting Blinds by Formex® products are in all events not suitable, and are not authorized, for use in any situations that might pose potentially injurious to life and health, other than those situations that the products are intended for. This warranty is not assignable or transferable.

No Other Warranties: EXCEPT AS PROVIDED IN THIS LIMITED WARRANTY SET FORTH IN THE WARRANTY CARD SUPPLIED WITH SNAP LOCK HUNTING BLINDS BY FORMEX® AND INSTRUCTION SHEETS ARE PROVIDED "AS IS". ALL OTHER WARRANTIES AND REPRESENTATIONS, ORAL OR WRITTEN, EXPRESSED OR IMPLIED, INCLUDING BUT NOT LIMITED TO ANY IMPLIED WARRANTIES OF MERCHANTABILITY OR FITNESS FOR A PARTICULAR PURPOSE, ARE EXCLUDED AND DO NOT APPLY. THERE ARE NO WARRANTIES WHICH EXTEND BEYOND THE DESCRIPTION ON THE FACE HERE OF. Except as required by law, no representative, agent or employee of Formex® Manufacturing, Inc. is authorized to make warranties, representations, or obligations inconsistent with or in addition to those set forth in this limited warranty.

No Damages: IN NO EVENT WILL FORMEX® MANUFACTURING, INC. BE LIABLE FOR DIRECT, INDIRECT, SPECIAL, INCIDENTAL, OR CONSEQUENTIAL DAMAGES RESULTING FROM BREACH OF WARRANTY OR UNDER ANY OTHER LEGAL THEORY, even if advised of the possibility of such damages. In no event will Formex® Manufacturing, Inc. be liable for sums in excess of the purchase price of the product. Formex® Manufacturing, Inc. is thus not liable for lost profits or goodwill; downtime; damage or destruction of items or equipment used with, or in conjunction with, Formex® Manufacturing, Inc. ; personal injury or loss; or any other damages.

General: This agreement is the entire agreement between you and Formex® Manufacturing, Inc.; super cedes any prior or different agreements, representations, or proposals; and may be changed only by written agreement with Formex® Manufacturing, Inc. (b) Waiver by any party of any default or breach of this agreement will not constitute a waiver of any subsequent default or breach of the same or different kind. (c) The invalidity of any provision of this agreement shall not affect the validity of the other provisions hereof. (d) This agreement shall be governed by the laws of the State of Georgia, U.S.A.

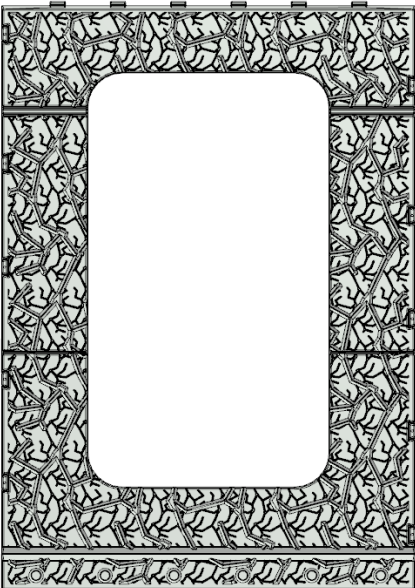
Formex® Manufacturing, Inc., 601 Hurricane Shoals Road NW, Lawrenceville, GA 30046

READ THIS MANUAL IN ITS ENTIRETY PRIOR TO USING THIS PRODUCT

FREEDOM BLIND

PARTS INCLUDED

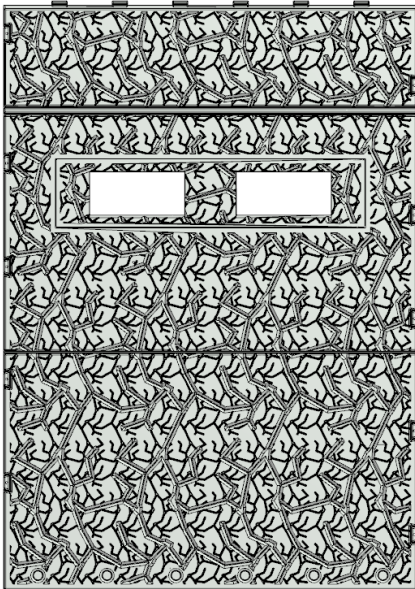
PAGE 1 of 2



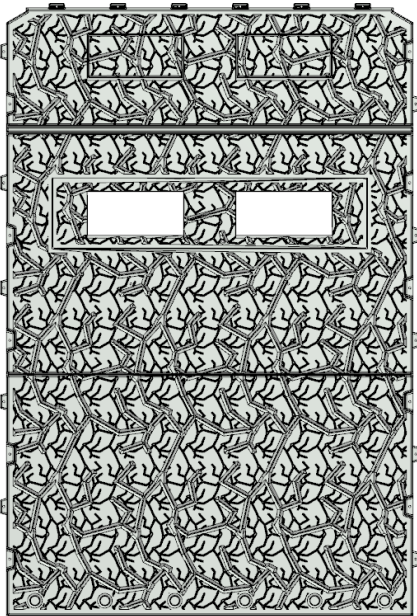
FRONT WALL (x1)



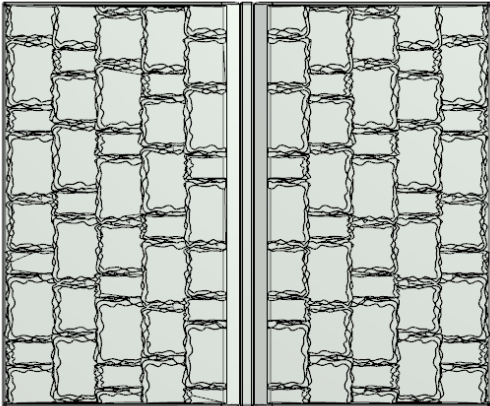
DOOR (x1)



BACK WALL (x1)



SIDE WALL (x2)



ROOF (x1)



GABLE (x2)

FREEDOM BLIND

PARTS INCLUDED

PAGE 2 of 2

ASSEMBLY FASTENERS



PUSH-IN RIVET (x20)



BLACK NYLON SCREW (x12)

WINDOW COMPONENTS



WINDOW (x7)



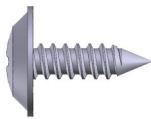
24-inch ELASTIC CORD (x3)



CORD BALL LOCK (x4)



18-inch ELASTIC CORD with LOOP (x5)



METAL LATH SCREW (x42)

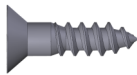


BLACK NYLON THUMB SCREW (x7)



BLACK NYLON NUT (x7)

DOOR COMPONENTS



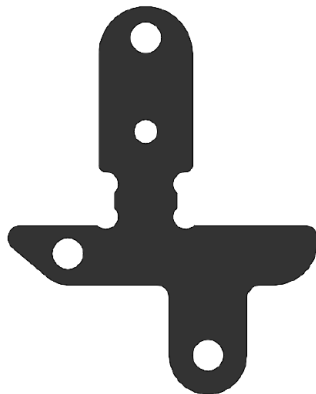
METAL FLAT HEAD SCREW (x12)



QUICK RELEASE PIN (x1)



HINGE (x3)



DOOR LATCH HANDLE (x1)



DOOR LATCH EYE (x1)



DOOR LATCH BAR (x1)

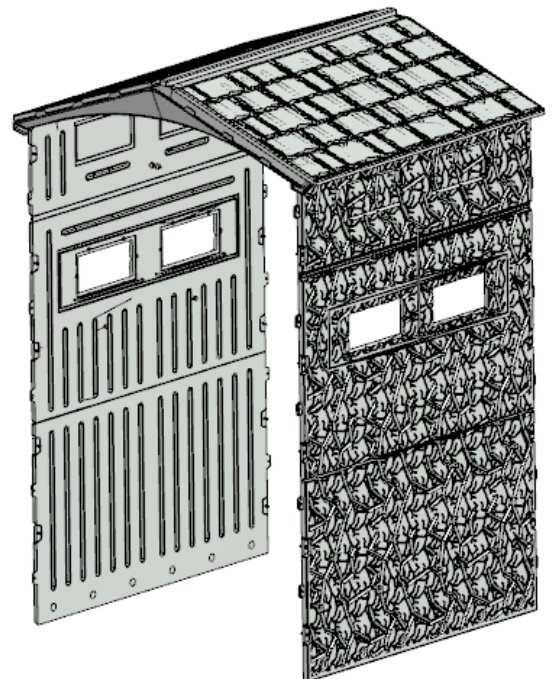
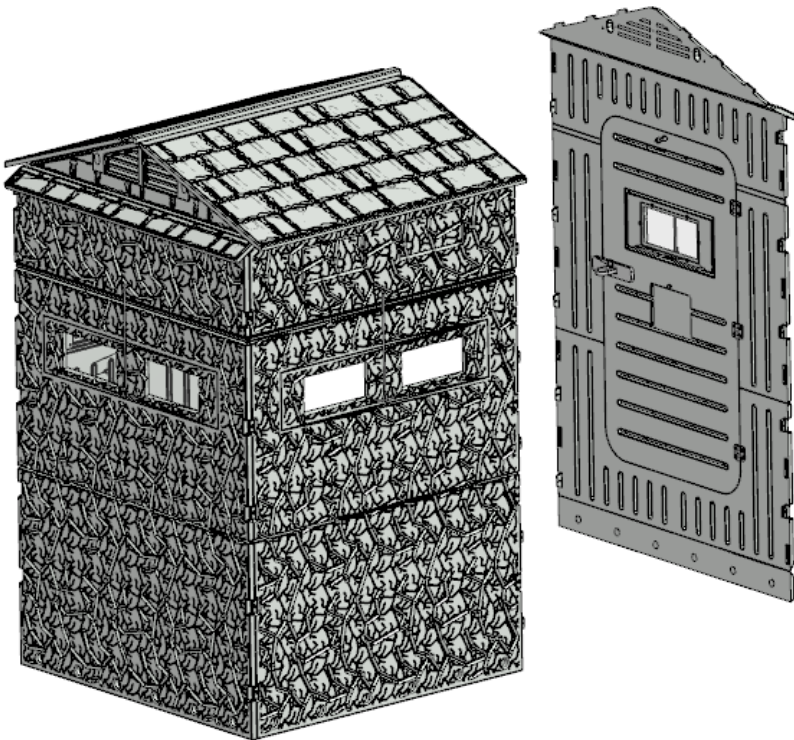
TOOLS REQUIRED: #2 phillips head screw driver and a medium to large flat head screw driver.

FREEDOM BLIND

These assembly instructions are for the **Freedom Blind**.

When the **Freedom Blind** is purchased with the **Freedom Blind Expansion Pack**, refer to the assembly instructions included with the **Freedom Blind Expansion Pack** for the complete assembly.

Parts included with the Freedom Blind



Parts included with the Freedom Blind Expansion pack

FREEDOM BLIND

ASSEMBLY DOOR WINDOW

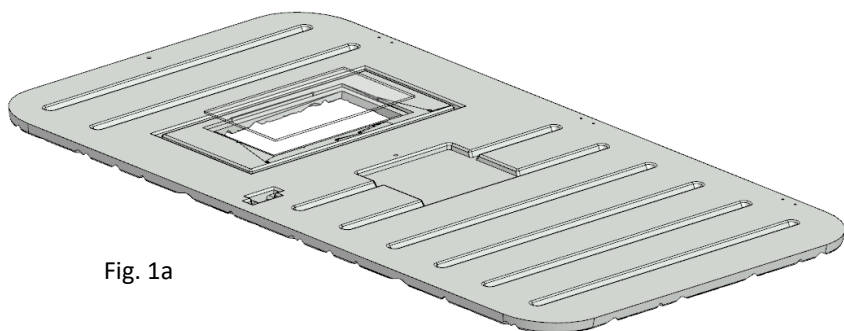


Fig. 1a

Lay the **DOOR** on a flat surface with the inside (black side) up. Remove the protective film from both sides of one of the **WINDOWS** and place it in the recessed area as shown (Fig. 1a).

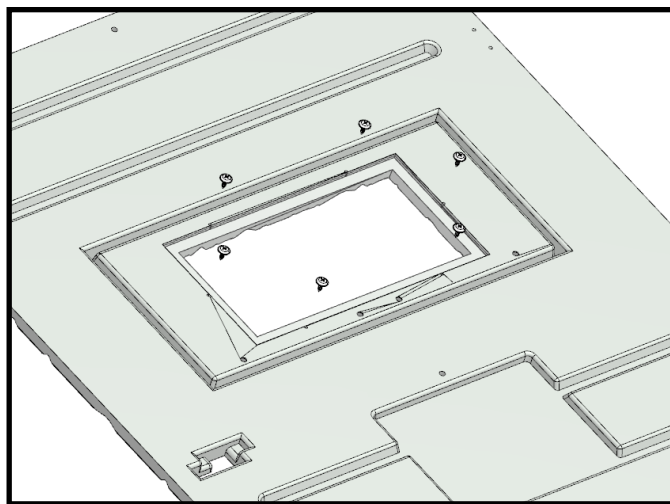


Fig. 2a

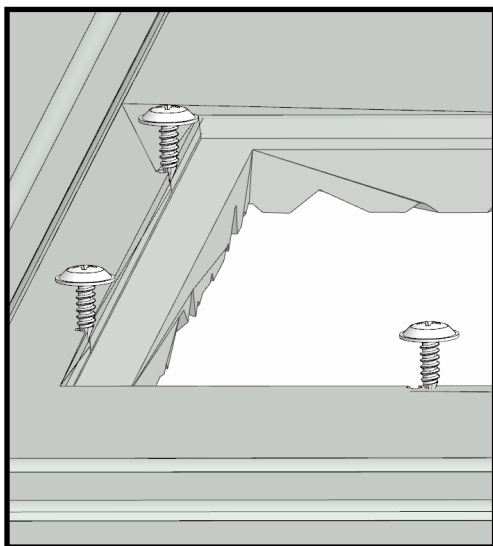
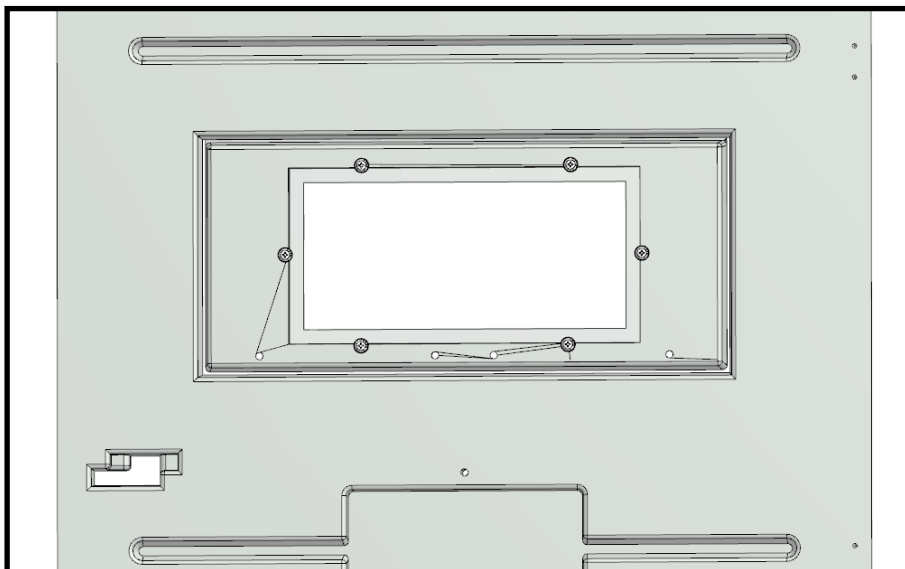


Fig. 3a

Using six of the **METAL LATH SCREWS**, drive each screw along the edge of the window (Fig. 3a) with a #2 phillips-head screwdriver.

Fig. 4a



FREEDOM BLIND

ASSEMBLY

DOOR to FRONT WALL

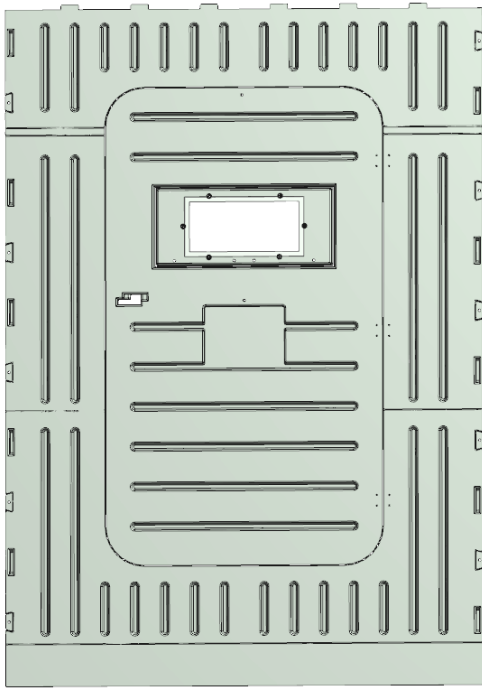


Fig. 1b

Lay the **FRONT WALL** over the **DOOR**. Adjust the position of the **DOOR** until the gap around the **DOOR** and the **FRONT WALL** is even.

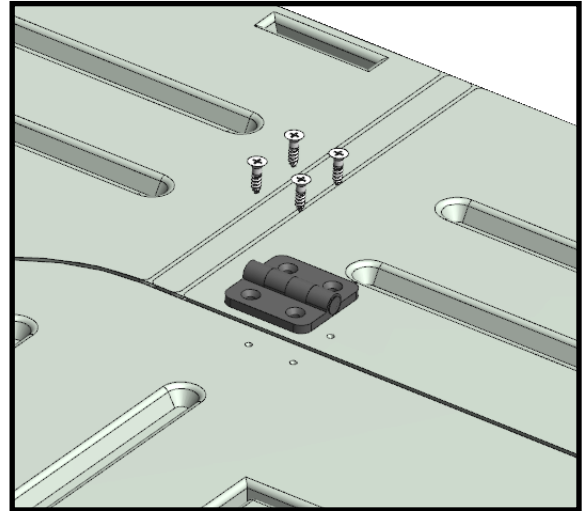


Fig. 2b

Align the holes in the three **HINGES** with the small indentions along the right side of the **DOOR** (Fig. 2b). Attach the three **HINGES** using the twelve **METAL FALT HEAD SCREWS** (four screws each hinge) with a #2 phillips-head screw-driver.

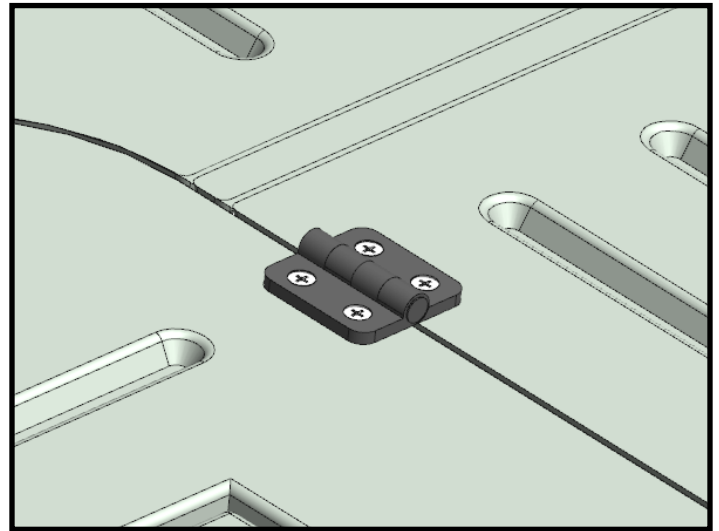


Fig. 3b

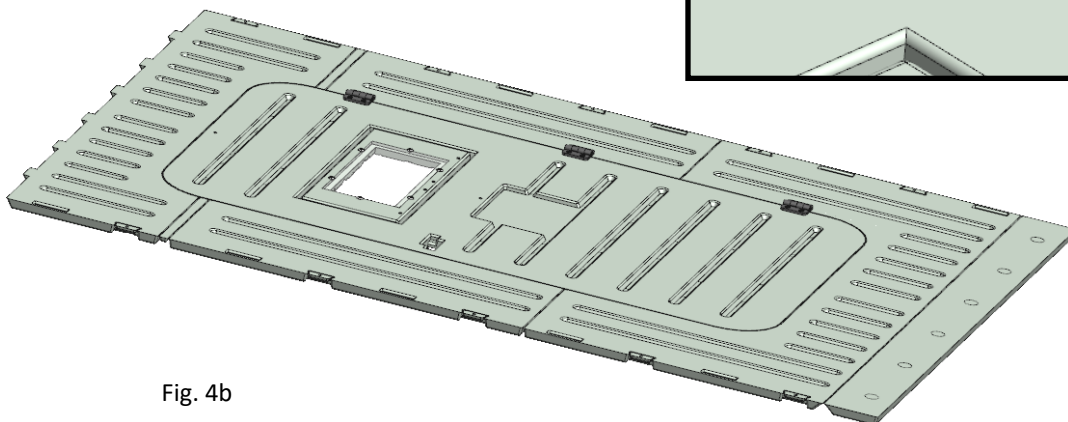


Fig. 4b

FREEDOM BLIND

ASSEMBLY

SIDE WALL and BACK WALL WINDOWS

Lay the two **SIDE WALLS** and **BACK WALL** down on a flat surface with the inside (black side) facing up. Install the four **WINDOWS** (two windows each wall) (Fig. 1c) with the **METAL LATH SCREWS** (six screws per window). Drive each screw along the edge of the window (Fig. 2c) with a #2 phillips-head screwdriver.

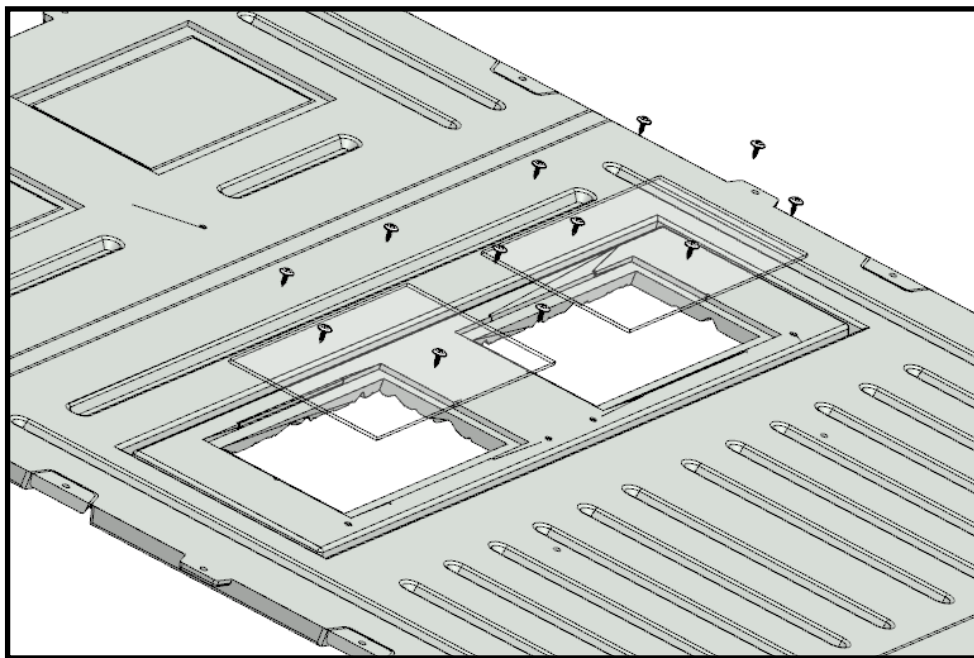


Fig. 1c

Fig. 2c

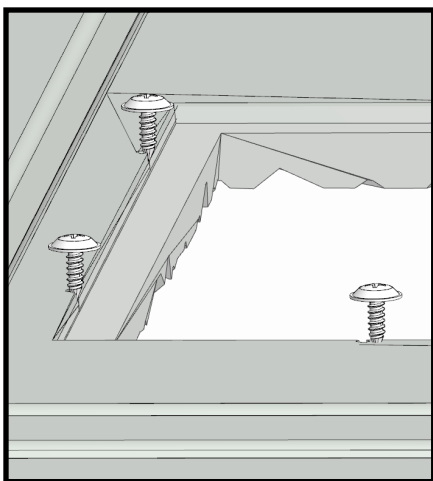
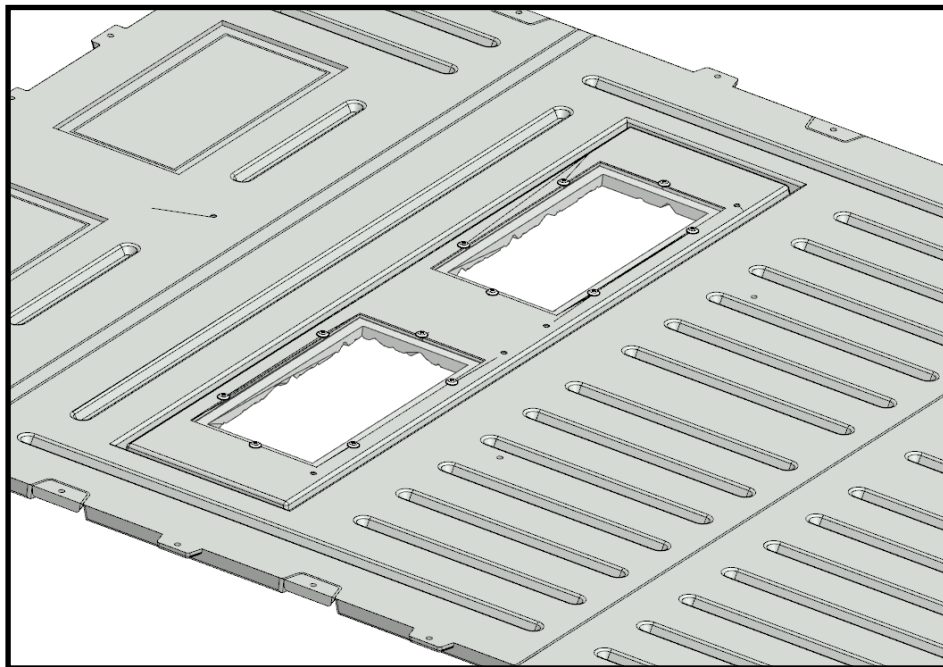


Fig. 3c



FREEDOM BLIND

ASSEMBLY

WALL to WALL

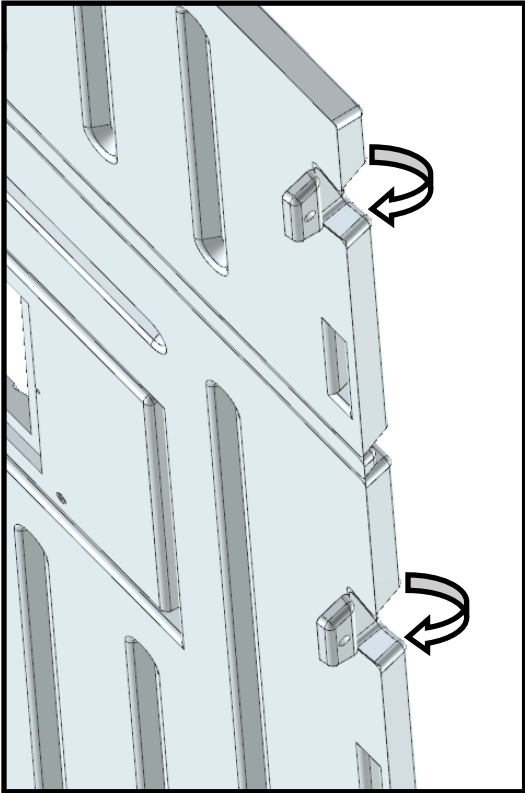


Fig. 1d

There are five tabs on each side of the **FRONT WALL** and **BACK WALL** (twenty total). Fold each tab 90 degrees towards the inside as shown. (Fig. 1d)

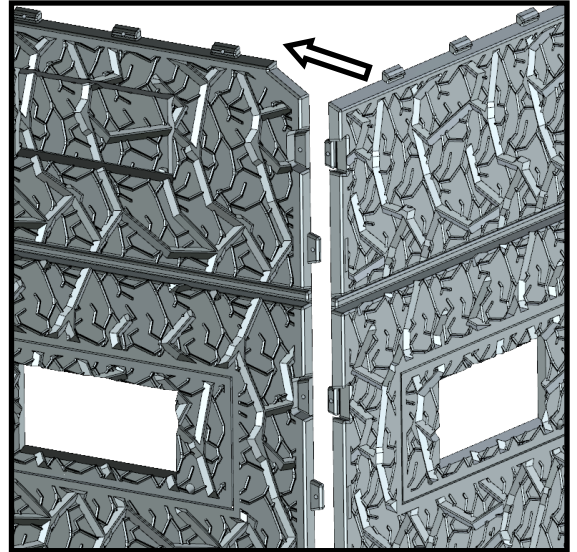


Fig. 2d

Align the tabs on the **BACK WALL** with the slots on either one of the **SIDE WALLS** (Fig. 2d). Insert these tabs until the $\frac{1}{4}$ inch holes on the tabs and slots align.

Note: Using a $\frac{1}{4}$ inch pin or a #2 phillips-head screwdriver, which usually is $\frac{1}{4}$ inch in diameter, will help align these holes. (Fig. 3d)

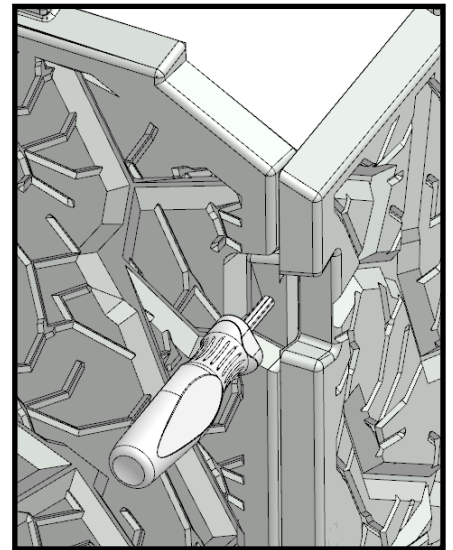


Fig. 3d

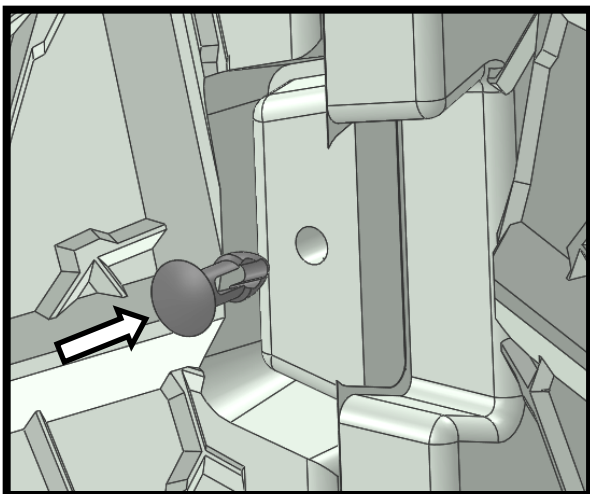


Fig. 4d

With the holes aligned, install the **PUSH-IN RIVET** (five per corner). (Fig. 4d)

Attach each corner using the same method until all four walls are assembled.

FREEDOM BLIND

ASSEMBLY

THUMB SCREWS and ELASTIC CORD

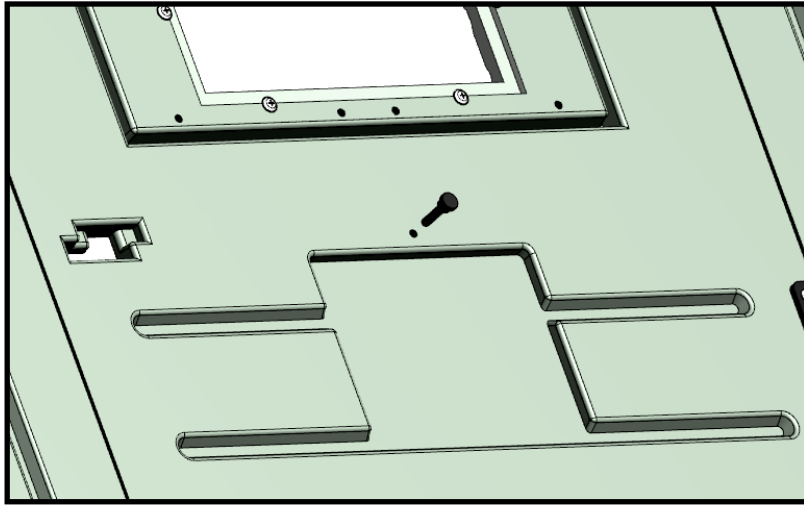


Fig. 1e

There is a ¼ inch hole located a few inches below each of the seven windows. From the inside, insert a **BLACK NYLON THUMB SCREW** (Fig.1e). Install a **BLACK NYLON NUT** from the outside. (Fig. 3e)

Note: Hand tighten the nut. No tool is required.

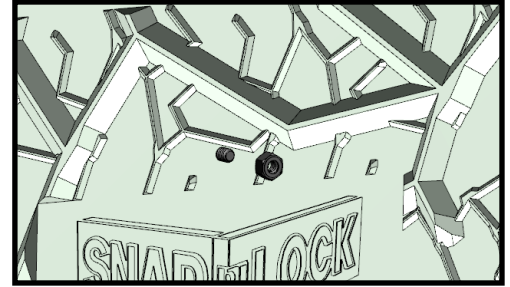


Fig. 2e

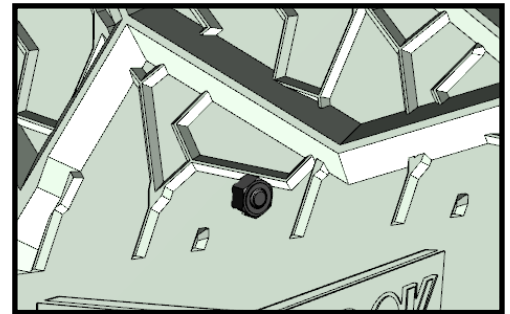


Fig. 3e

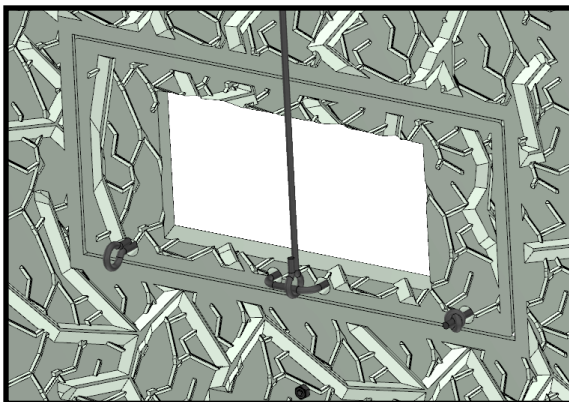


Fig. 4e

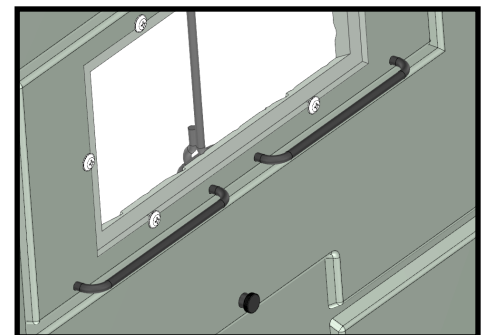


Fig. 5e

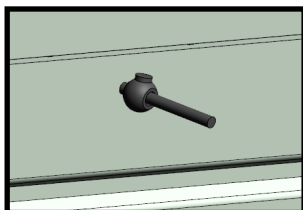


Fig. 6e

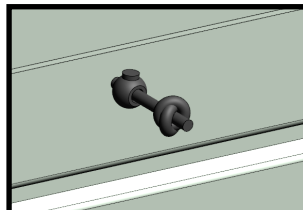


Fig. 7e

Attach the **18-inch ELASTIC CORD with LOOP** to the door window by first inserting the non looped end through the first of the four holes located at the bottom of the window from the outside. Then thread the cord back to the outside through the next hole. Now thread it through the loop of a second **18-inch ELASTIC CORD with LOOP** (Fig. 4e and 5e). Thread it back into the inside through the next hole and then back out the last hole. Tie an overhand knot in this end.

Thread the loose end of the second **18-inch ELASTIC CORD with LOOP** from the outside through the ¼ inch hole located a few inches above the window. From the inside install a **CORD BALL LOCK** on the end (Fig. 6e). Tie an overhand knot end the end of the cord. (Fig. 7e)

Use the same procedure to attach the cords to the **SIDE WALLS** and **BACK WALL**, except use the **24-inch ELASTIC CORDS** through the four holes along the bottom of the window.

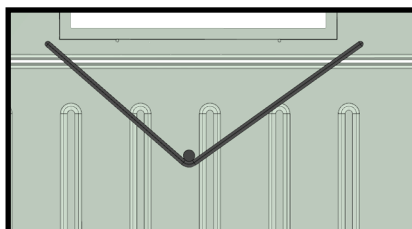


Fig. 8e

FREEDOM BLIND

ASSEMBLY

DOOR LATCH

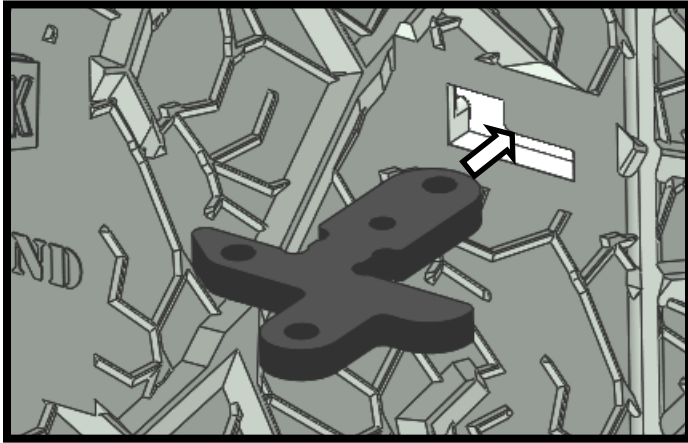


Fig. 1f

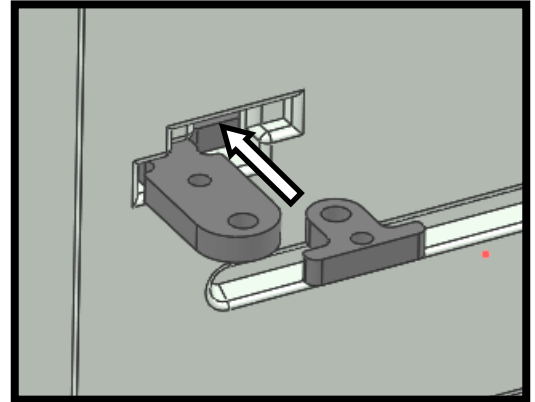


Fig. 2f

From the outside, insert the **DOOR LATCH HANDLE** through the opening on the **DOOR** as shown (Fig. 1f). From the inside, insert the **DOOR LATCH EYE** as shown (Fig. 2f). From the inside, install the **DOOR LATCH BAR** (Fig. 3f) and secure with the **QUICK RELEASE PIN** (Fig. 4f).

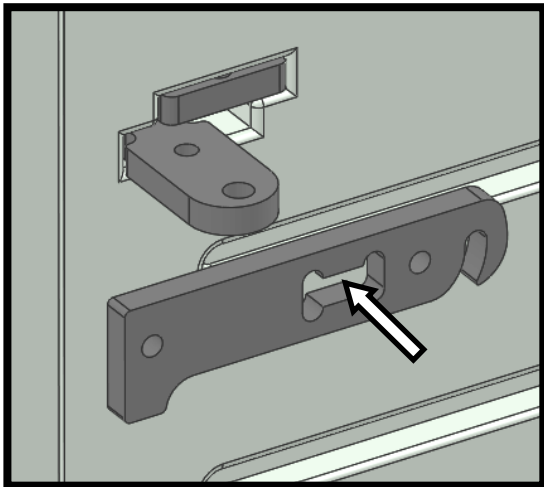


Fig. 3f

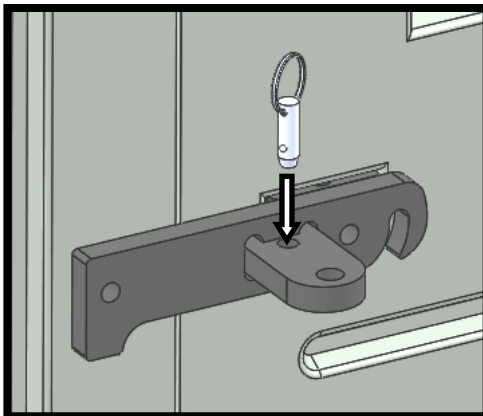


Fig. 4f

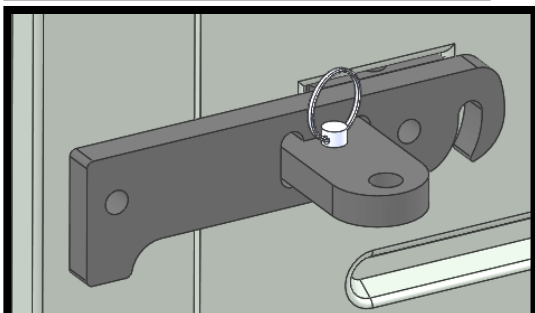


Fig. 5f

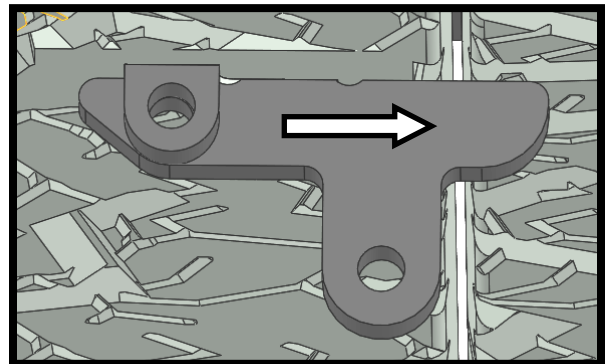


Fig. 6f

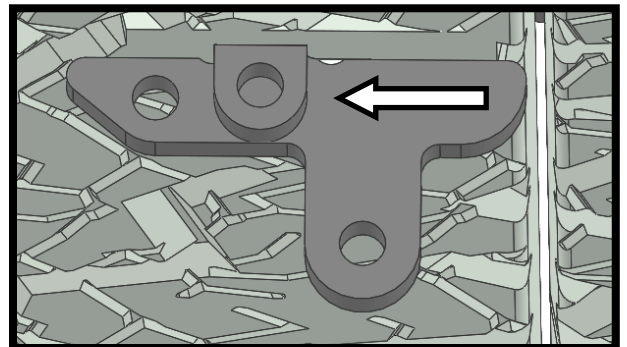


Fig. 7f

Slide the handle right to secure the **DOOR** (Fig. 6f). The holes in the **DOOR LATCH HANDLE** and the **DOOR LATCH EYE** will align, allowing for an addition of a pad lock. Slide the handle left to open. (Fig. 7f)

Note: The door only opens to the inside.

FREEDOM BLIND

ASSEMBLY

ROOF to GABLES

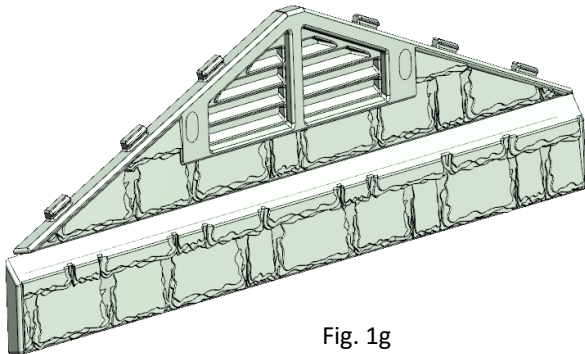


Fig. 1g

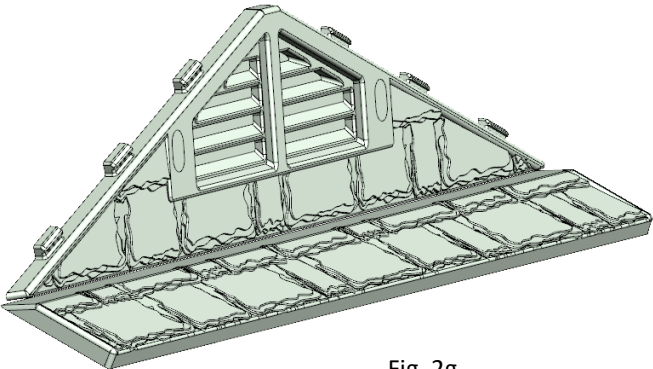


Fig. 2g

Fold both **GABLES** at their fold line as shown (Fig. 2g).

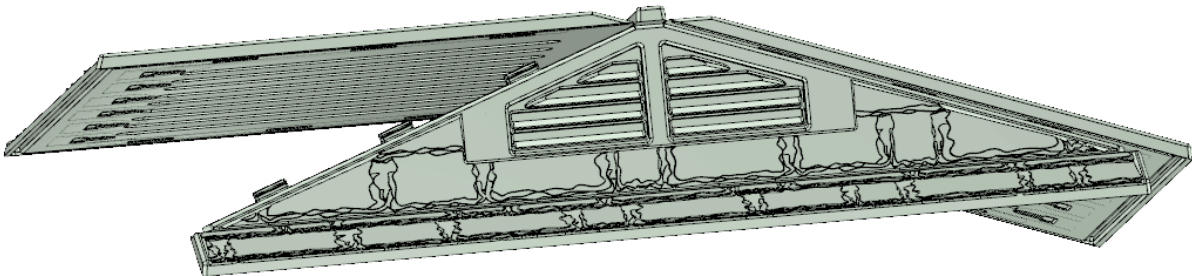


Fig. 3g

Starting with three of the tabs on one side of the **GABLE**, insert into three of the slots on the **ROOF** as shown (Fig. 3g). Then fold the **ROOF** until the three tabs on the other side of the **GABLE** are inserted into the three slots of the **ROOF**. (Fig. 4g)

Repeat this procedure for installing the second **GABLE** onto the other end of the **ROOF**.

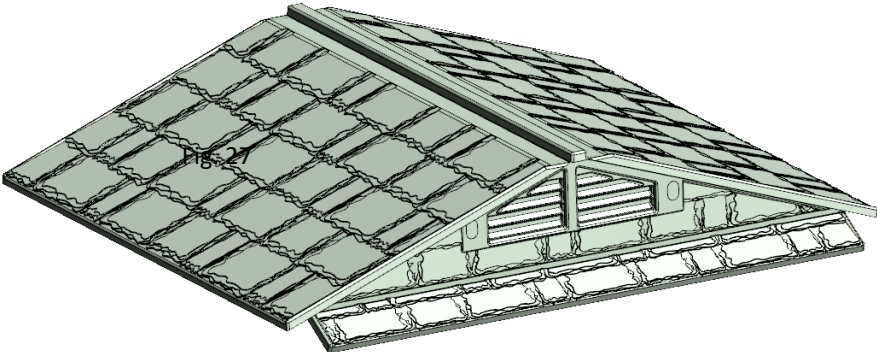


Fig. 4g

FREEDOM BLIND

ASSEMBLY

ROOF to WALLS

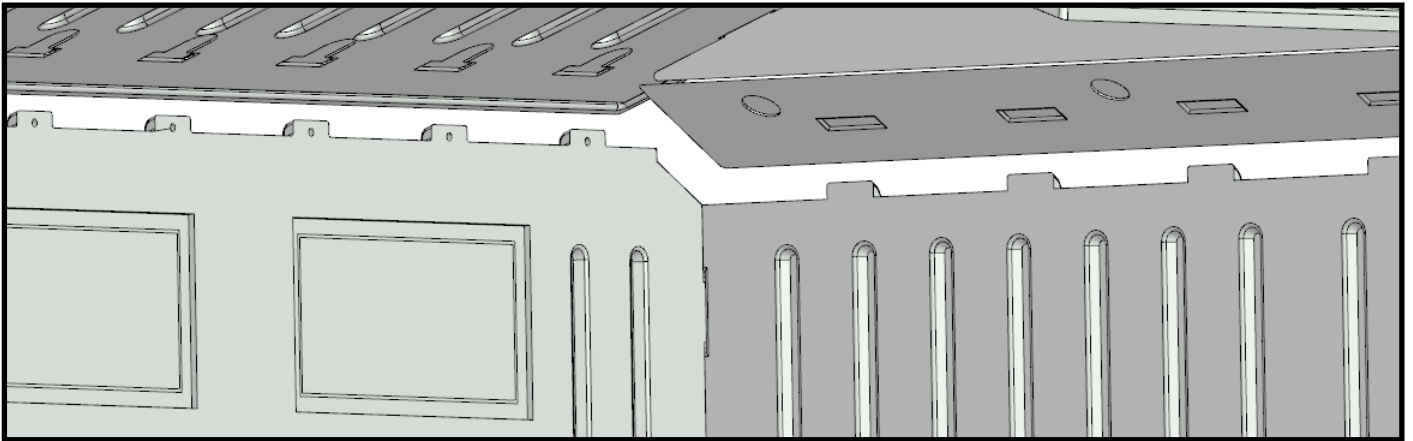


Fig. 1h

Attach the **ROOF** and **GABLE** assembly to the **WALL** assembly by aligning the tabs on the **FRONT WALL** and **BACK WALL** with the slots in the **GABLES**. This will also align the tabs on the **SIDE WALLS** to the slots on the **ROOF**. (Fig. 1h)

Note: The round holes in the inside bottom of the **GABLES** are finger holes to give you a way to pull the **GABLE** down onto the tabs from the inside of the blind. You may also want to use the hook shape end of the **DOOR LATCH BAR** as a tool to pull down on the **ROOF** and **GABLE** assembly from the inside.

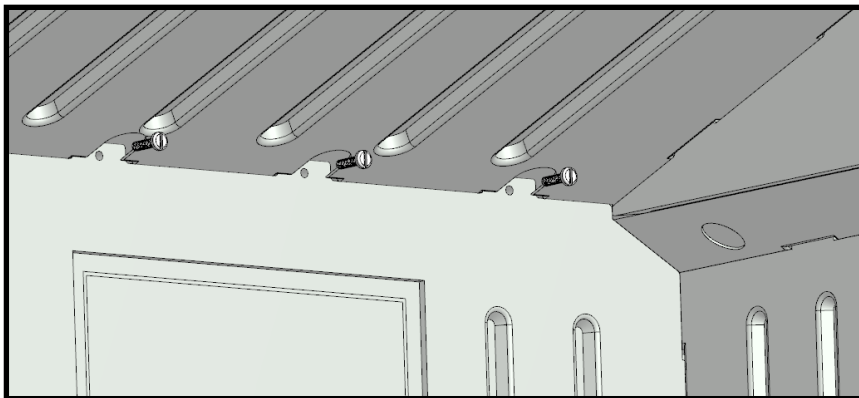


Fig. 2h

The six tabs on the top of each **SIDE WALL** has a $\frac{1}{4}$ inch hole. After the tabs are fully inserted into the slots, insert a **BALCK NYLON SCREW** into each hole. (Fig. 2h)

Note: Check the underside of the overhang of the roof. If the **BALCK NYLON SCREWS** are properly installed, you should not see them from the outside. If you do see any of the screws, unscrew them back out, be sure that the tab is fully into the slot and reinstall the screw.

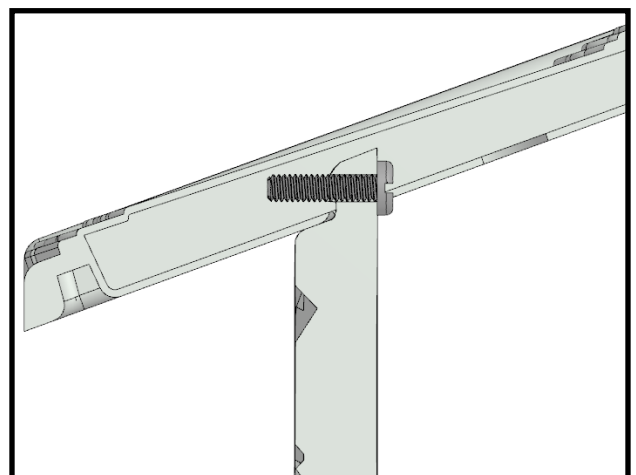


Fig. 3h

FREEDOM BLIND

MOUNTING to PLATFORM

STANDARD PLATFORM (not included)

A standard platform for a single unit FREEDOM BLIND should be built 46-1/2 inches wide and 46-1/2 inches long (Fig. 34). These are the inside dimensions of the blind.

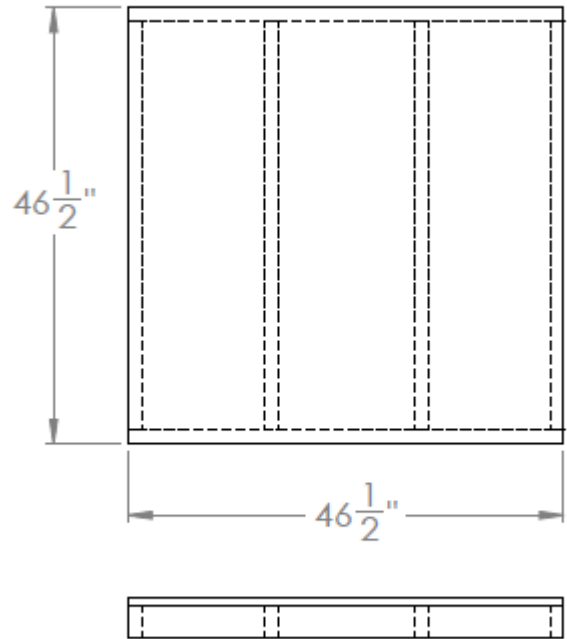


Fig. 1i

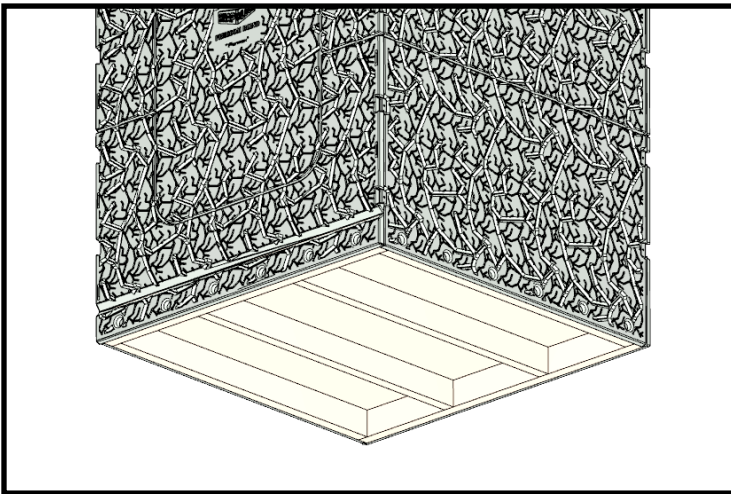
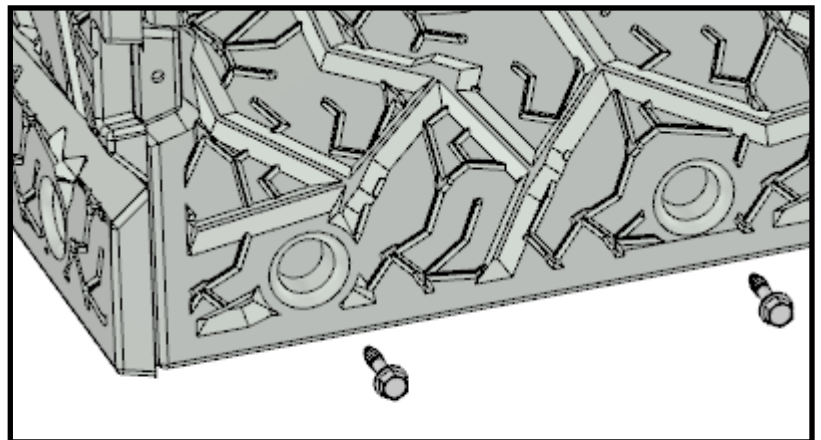


Fig. 2i

Place the assembled blind over the platform (Fig. 2i) and attach the blind to the platform by driving a screw (not included) into each of the six circles located along the bottom of each of the four walls (24 screws required).

Fig. 3i



Note: Exterior rated, flange head screws or screws paired with washers are recommended.

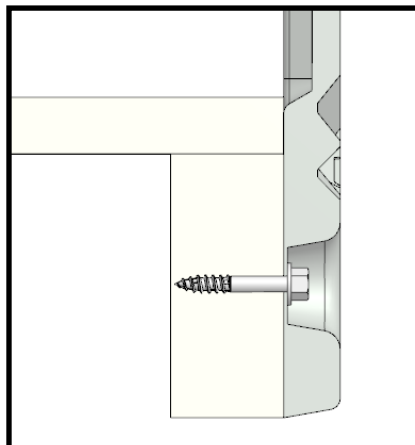
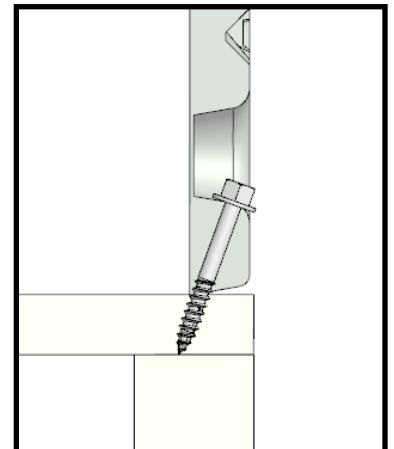


Fig. 4i

Standard mounting method through the side of the platform using a 1" to 1-1/2" screw. (Fig. 4i)

Alternative mounting method for attaching the blind to the top of the platform using a 2" screw. (Fig. 5i)

Fig. 5i



FREEDOM BLIND

MOUNTING to PLATFORM

PLATFORM with LANDING (not included)

If a landing is desired on the platform, add the amount of landing to the length of the platform. For example, if you wish for two feet of landing, the dimensions of the platform should be 46-1/2 inches wide and 72 inches long. (Fig. 1j)

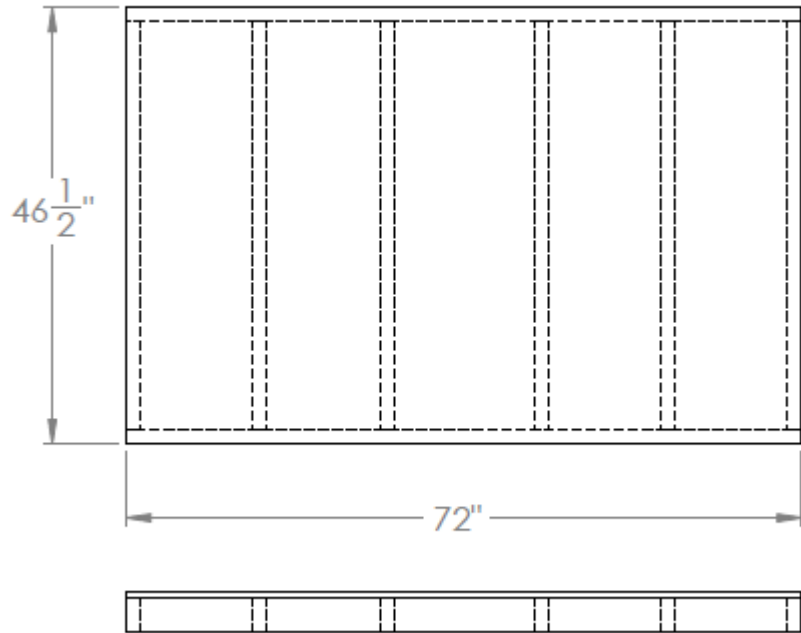


Fig. 1j

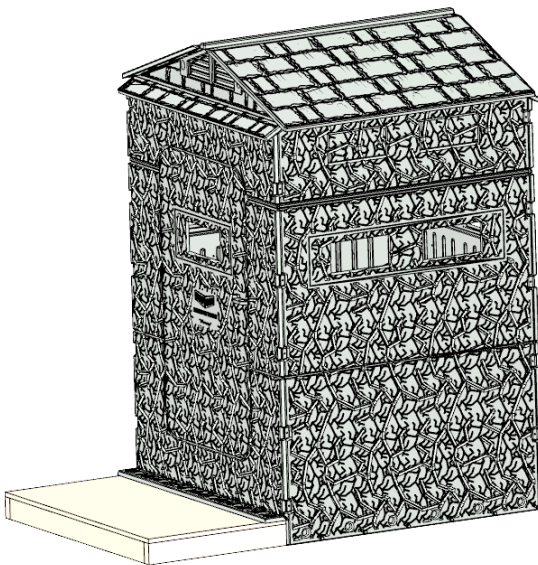


Fig. 2j

There is a fold line along the bottom of the **FRONT WALL**. When attaching the blind to a longer platform, fold the bottom of the **FRONT WALL** outwards and drive a screw down through each of the six circles across the bottom of the wall. (Fig. 3j)

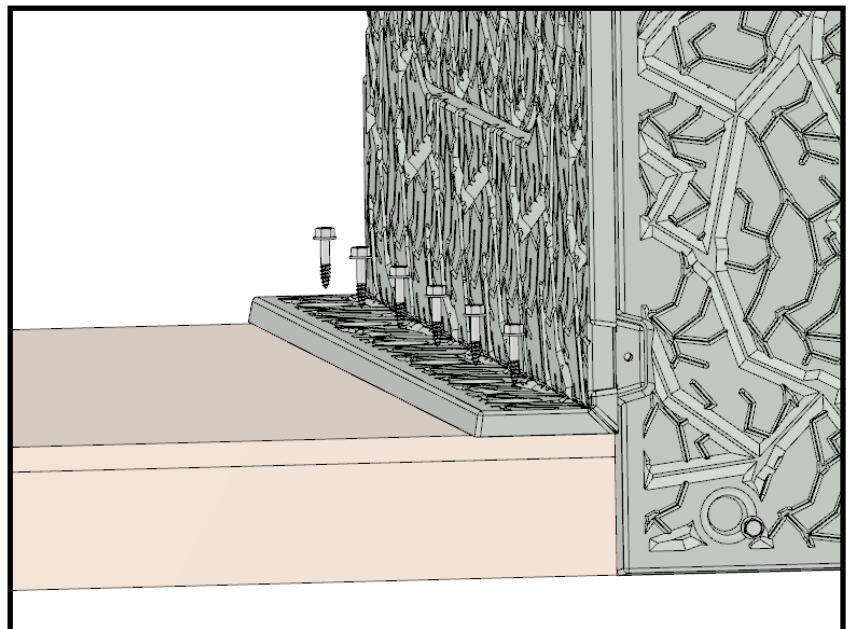


Fig. 3j